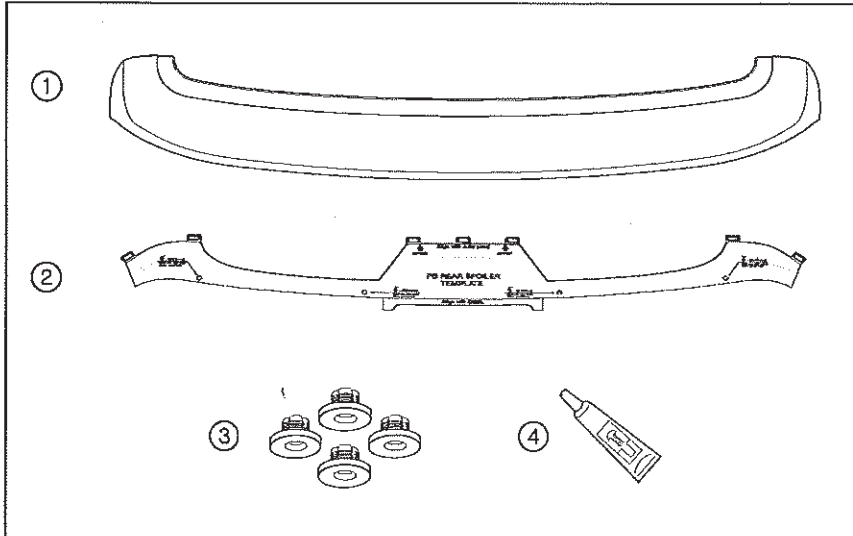
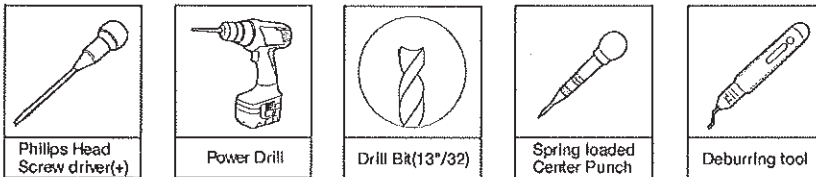


Kit contents



Part	Description	QTY
1	Rear Spoiler assembly	1
2	Template	1
3	Locking retainer	4
4	Rust Inhibitor	1
	MANUAL	1

Basic Required Hand Tools

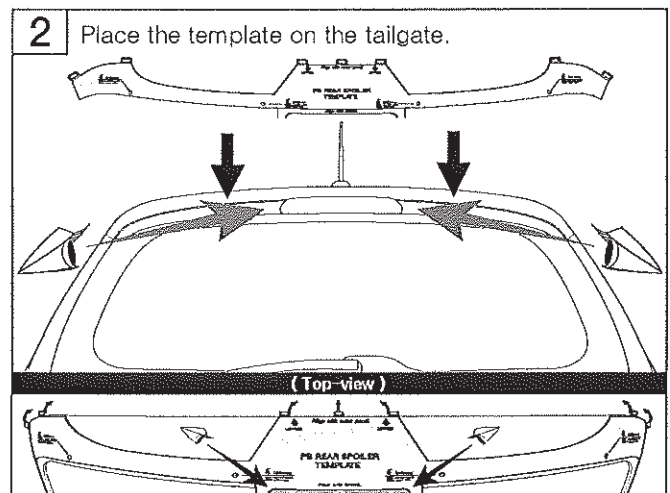
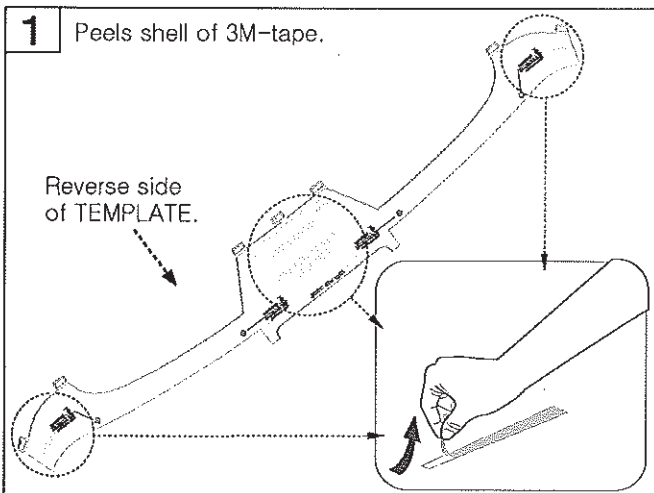


WARNING!

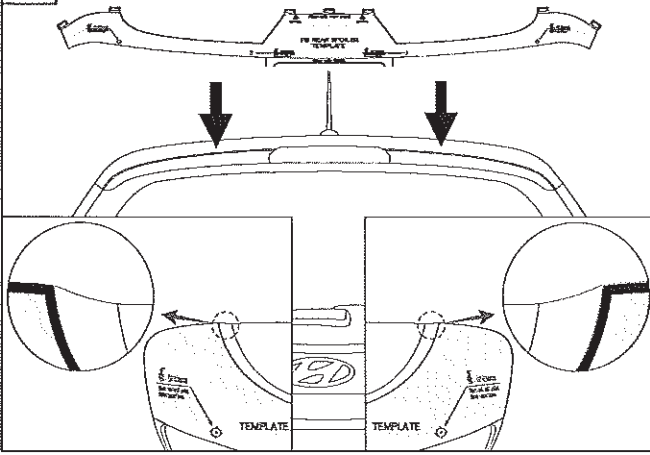
- This product should be fitted only as described in the installation procedure.
- This product is designed exclusively for use on Hyundai i20.
This product must not be fitted to any other vehicle.
- Please read this installation procedure carefully before carrying out installation.
- Always follow safety procedures during fitment.

Instruction

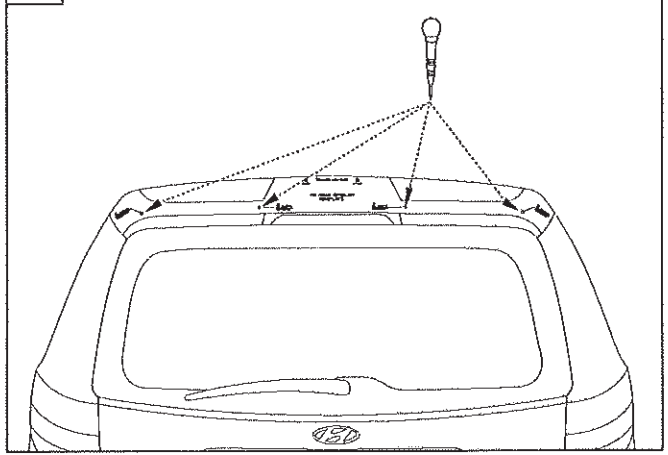
*Use IPA(Isoprophylalcohol) to clean up surface of rear spoiler and upper tailgate face before installation.



3 Align the template shown as a picture below.



4 Mark holes with spring loaded center punch.



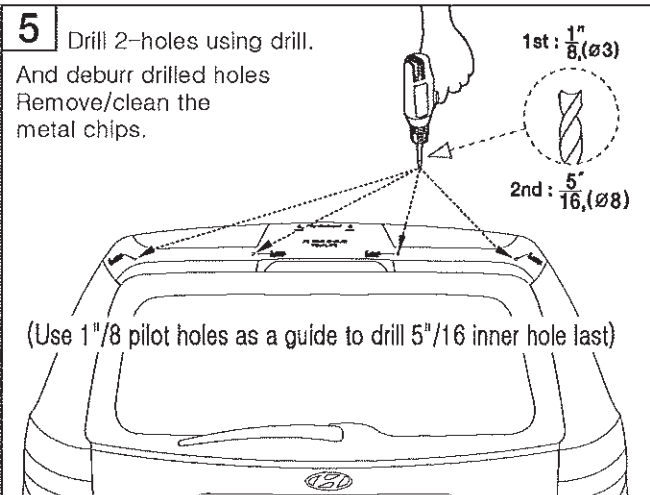
5 Drill 2-holes using drill.

And deburr drilled holes
Remove/clean the
metal chips.

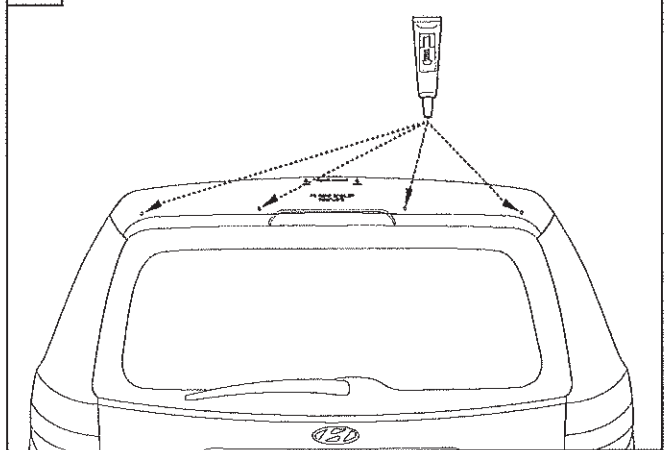
1st: $\frac{1}{8}$ " ($\varnothing 3$)

2nd: $\frac{5}{16}$ " ($\varnothing 8$)

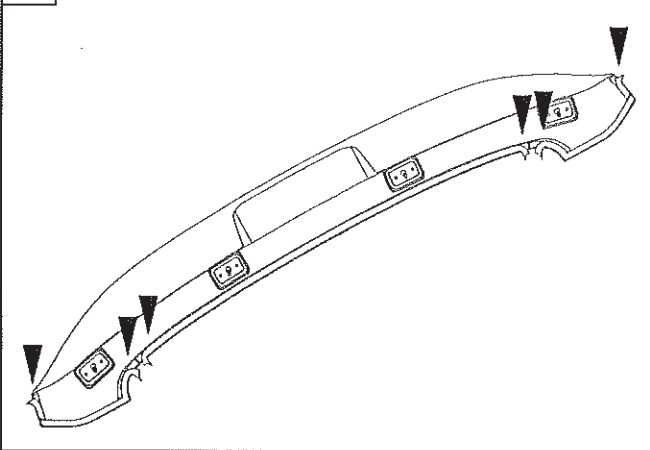
(Use $\frac{1}{8}$ " pilot holes as a guide to drill $\frac{5}{16}$ " inner hole last)



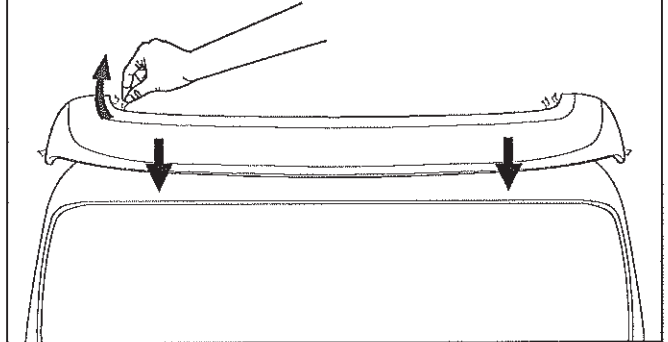
6 Apply rust inhibitor to all drilled holes.



7 Slightly peel back ends of 3M-tape liner.



8 Align spoiler with tailgate.
Double check to see that drilled holes are aligned
with spoiler mounting holes.
*Do not remove entire strip of tape liner
until spoiler is properly aligned with tailgate.



9 Remove tape liner and align the spoiler.
Apply pressure on the tape.

O.K

